

**FORGED CARBON STEEL NEEDLE VALVE 3000 Psi**



**Size :** DN 1/4" to 1"  
**Ends :** Female - Female BSP or NPT , Socket Welding  
**Min Temperature :** - 20°C  
**Max Temperature :** + 250°C  
**Max Pressure :** 200 Bars  
**Specifications :** Rising rotating stem  
Monobloc  
Reduce bore

**Materials :** Forged carbon steel

**FORGED CARBON STEEL NEEDLE VALVE 3000 Psi****SPECIFICATIONS :**

- Respect the flow direction ( indicated by the arrow )
- Reduce bore
- Rising rotating stem
- Monobloc
- Carbon steel
- 3000 Psi type

**USE :**

- For Common fluids of 2<sup>nd</sup> group compatible
- Min and max Temperature Ts : - 20°C to + 250°C
- Max Pressure Ps : 200 bars at 20°C

**FLOW COEFFICIENT Kv ( M3 / h ) :**

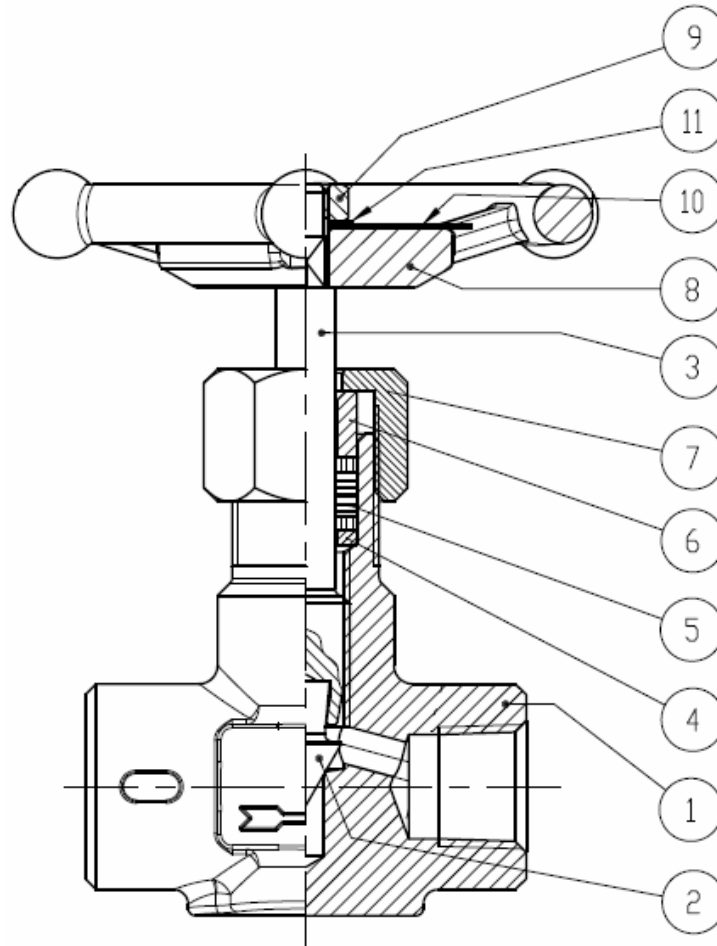
	DN	1/4"	3/8"	1/2"	3/4"	1"
<b>Turn numbers</b>	0	0	0	0	0	0
	0.5	0.17	0.22	0.39	0.45	0.52
	1	0.26	0.32	0.60	0.67	0.78
	2	0.35	0.42	0.78	1.13	1.30
	3	0.38	0.48	0.86	1.28	1.47
	3.5	0.43	0.54	0.86	1.34	1.51
	4			0.86	1.36	1.56
	4.75			0.90	1.38	1.58
	5				1.39	1.60
	6				1.39	1.60

**RANGE :**

- Carbon steel threaded BSP cylindric **Ref. 483** DN 1/4" to DN 1"
- Carbon steel threaded NPT cylindric **Ref. 484** DN 1/4" to DN 1"
- Carbon steel Socket Welding **Ref. 486** DN 8 to DN 25

**FORGED CARBON STEEL NEEDLE VALVE 3000 Psi**

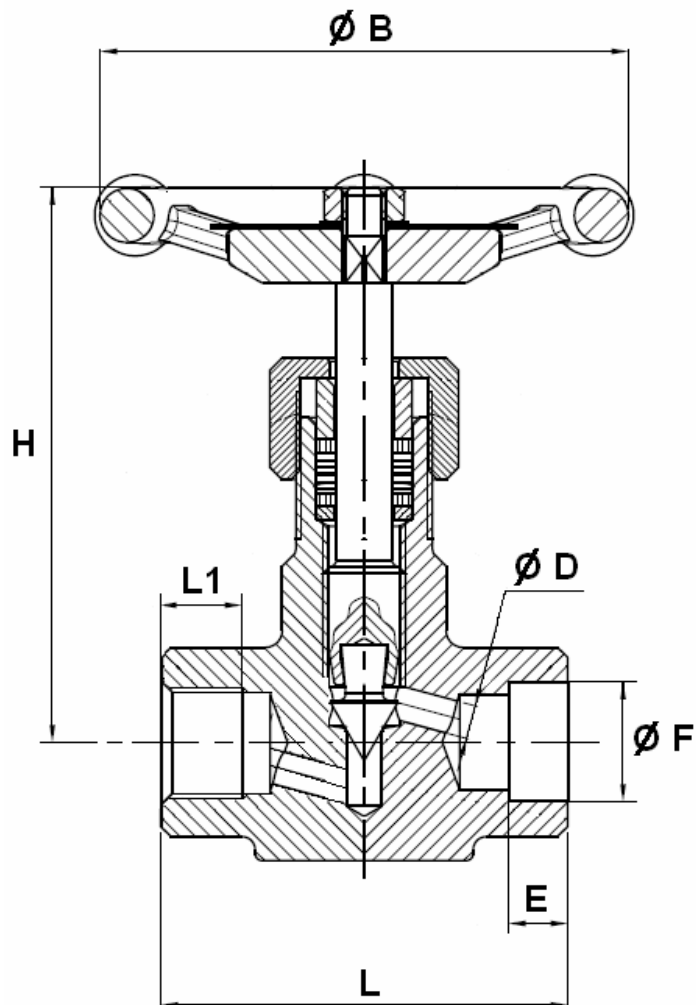
**MATERIALS :**



Item	Designation	Materials
1	Body	ASTM A105N
2	Needle	ASTM A105N
3	Stem	SS 410
4	Ring	SS 410
5	Packing	Graphite
6	Packing gland	SS 410
7	Yoke nut	SS 410
8	Handwheel	ASTM A105N
9	Handwheel nut	Carbon steel
10	Name plate	Aluminium
11	Washer	Carbon steel

**FORGED CARBON STEEL NEEDLE VALVE 3000 Psi**

SIZE ( in mm ) :



REF.	DN	1/4"	3/8"	1/2"	3/4"	1"
483	$\varnothing D$	4	5	6	7	8.5
	L	60	60	70	75	90
484	H ( open )	85	85	98	112	134
486	$\varnothing B$	78	78	78	78	98
483/484	L1	11	11	14	15	20
486	E ( SW )	10.1	10.1	10.3	15.5	14.5
	$\varnothing F$ ( SW )	14.2	17.6	21.72	27.05	33.78
483/484/486	Weight ( Kg )	0.65	0.64	0.83	1.04	1.96

**FORGED CARBON STEEL NEEDLE VALVE 3000 Psi****STANDARDS :**

- Fabrication according to ISO 9001 : 2008
- DIRECTIVE 97/23/CE : Concerned by article 3, § 3
- ATEX Group II Category 2 G/2D Zone 1 & 21 Zone 2 & 22 ( optional marking )

**ADVICE :** Our opinion and our advice are not guaranteed and SFERACO shall not be liable for the consequences of damages.  
The customer must check the right choice of the products with the real service conditions.